

Special Clamps

Support

Material specifications	
Material	Carbon Steel
Coatings	Galvanized, Hot dip Galvanized*



Applications

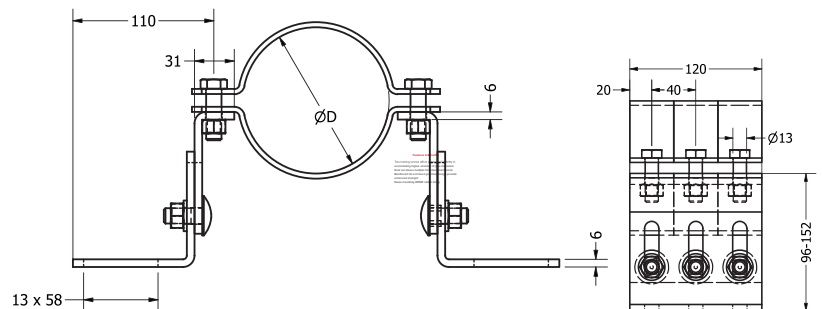
- Ideal pipeline anchor point when used with SRS Static clamp
- Height adjustable sub frame for anchor and expansion assemblies
- Installation of heavy pipes with large wall clearances

Features & Benefits

- Adjustable height & slope

The kit consists of:

- 4 Brackets pieces
- 3 SRS Static clamps**
- 6 Coach/Carriage bolts M12
- 6 Hex nuts M12
- 6 Washers M12



Select Variant

Article No.	Product Description	Nominal Size Pipe Outer Diameter [D]		V	B	H	Pack Size
		(inch)	(mm)				
620000	FX SRS Static with Bracket, 2"	2	60.3	M12	140	53	1
620006	FX SRS Static with Bracket, 70 mm	-	70	M12	148	57	1
620012	FX SRS Static with Bracket, 2½"	2½	76.1	M12	154	60	1
620018	FX SRS Static with Bracket, 82.5 mm	-	82.5	M12	161	64	1
620024	FX SRS Static with Bracket, 3"	3	88.9	M12	168	67	1
620030	FX SRS Static with Bracket, 101.6 mm	-	101.6	M12	182	74	1
620036	FX SRS Static with Bracket, 108-110 mm	-	108-110	M12	188	78	1
620042	FX SRS Static with Bracket, 4"	4	114.3	M12	195	80	1
620048	FX SRS Static with Bracket, 125-127 mm	-	125-127	M12	206	86	1
620054	FX SRS Static with Bracket, 133 mm	-	133	M12	213	90	1
620060	FX SRS Static with Bracket, 5"	5	139.7	M12	220	93	1
620066	FX SRS Static with Bracket, 152.4 mm	-	152.4	M12	232	99	1
620072	FX SRS Static with Bracket, 159 mm	-	159	M12	239	103	1
620078	FX SRS Static with Bracket, 6"	6	165	M12	246	106	1
620084	FX SRS Static with Bracket, 168.3 mm	-	168.3	M12	248	107	1
620090	FX SRS Static with Bracket, 177.8 mm	-	177.8	M12	258	112	1
620096	FX SRS Static with Bracket, 212 mm	-	212	M12	293	130	1
620102	FX SRS Static with Bracket, 8"	8	219.1	M12	300	133	1
620108	FX SRS Static with Bracket, 244.5 mm	-	244.5	M12	326	146	1
620114	FX SRS Static with Bracket, 267 mm	-	267	M12	348	157	1
620120	FX SRS Static with Bracket, 273 mm	-	273	M12	354	160	1

*Available on request

**In combination with Brackets, a maximum of 3 SRS Static Clamps without lining or a maximum of 2 SRS Static Clamps with EPDM lining may be mounted per set of brackets.