

Hinged Clamps

Single piece pipe clamp with easy click-in clamping design

Material specifications	
Material	Pipe Clamp - DC01 or equivalent steel Lining - EPDM
Coatings	Galvanized, Dacrotized*, Zinc Magnesium*
Lining Properties	Service Temperature -20°C to +110°C Noise Reduction Up to 18dB (A)

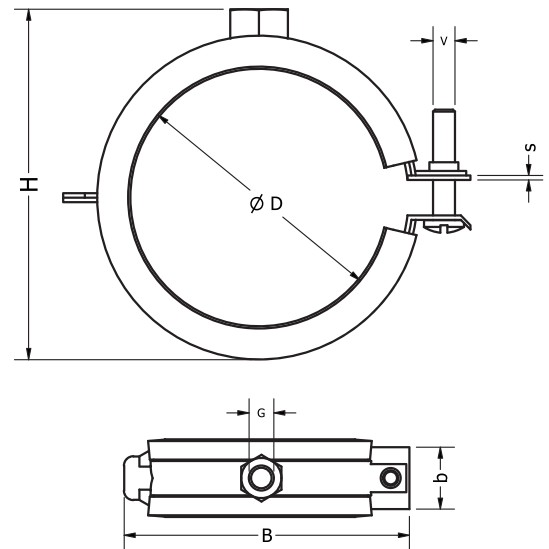


Applications

- Installation of plumbing and drainage pipes
- Suitable for installation of PVC & CPVC Pipes

Features & Benefits

- Single bolt design enables quicker installation
- Easy click-in clamping design allows opening and closing of the clamp with only one hand
- Positive-fit edge hook-in opening provides higher safety
- Noise insulating EPDM rubber lining



Select Variant

Article No.	Product Description	Clamping Range (D) (mm)	Pipe Size		G	bxs (mm)	V	Max. Reco. Static Load (Frec) (N)	Pack Size (Nos)
			(inch)	(mm)					
610000	FX SRS Speedy, M8, 1/4", (12-14)	12-14	1/4"	8	M8	20 x 1.5	M5	1000	150
610006	FX SRS Speedy, M8, 3/8", (15-19)	15-19	3/8"	10	M8	20 x 1.5	M5	1000	150
610012	FX SRS Speedy, M8, 1/2", (21-23)	21-23	1/2"	15	M8	20 x 1.5	M5	1000	100
610018	FX SRS Speedy, M8, 3/4", (26-28)	26-28	3/4"	20	M8	20 x 1.5	M5	1000	100
610024	FX SRS Speedy, M8, 1", (32-35)	32-35	1"	25	M8	20 x 1.5	M5	1000	100
610030	FX SRS Speedy, M8, 1 1/4", (40-43)	40-43	1 1/4"	32	M8	20 x 1.5	M5	1000	50
610036	FX SRS Speedy, M8, 1 1/2", (48-56)	48-56	1 1/2"	40	M8	20 x 1.5	M5	1000	50
610042	FX SRS Speedy, M8, 2", (57-61)	57-61	2"	50	M8	20 x 1.5	M5	1000	50
610048	FX SRS Speedy, M8, 65 mm, (63-67)	63-67	-	65	M8	20 x 1.5	M5	1000	50
610054	FX SRS Speedy, M8, 2 1/2", (74-80)	74-80	2 1/2"	77	M8	20 x 1.5	M5	1000	50
610060	FX SRS Speedy, M8, 3", (83-91)	83-91	3"	80	M8	20 x 1.5	M5	1000	50
610072	FX SRS Speedy, M8/M10, 4", (108-114)	108-114	4"	100	M8/M10	20 x 2.0	M6	1200	25

*Available on request