

Single Bossed Clamps

Two piece single bossed clamp with temperature resisting silicone lining

Material specifications	
Material	Pipe Clamp - DD11 or equivalent steel Lining - Silicone
Coatings	Galvanized, Hot-Dip Galvanized*, Zinc Magnesium*
Lining Properties	Service Temperature upto 225°C Noise Reduction Up to 18dB (A)

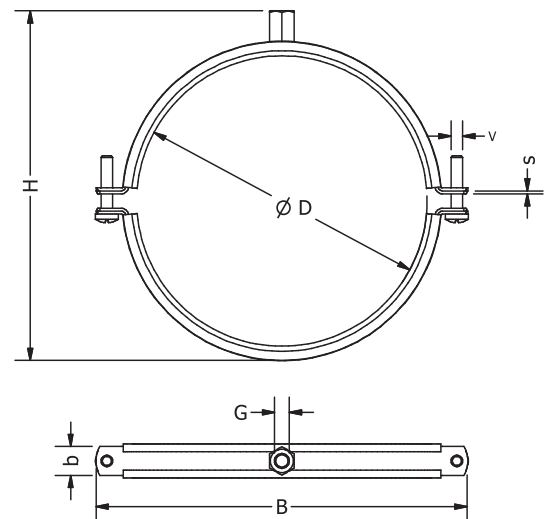


Applications

- Installation of pipes subjected to increased service temperatures
- Suitable for installation of steam pipes & hot process pipes

Features & Benefits

- Noise insulating and high temperature resistant silicone lining
- Solid connection boss, welded all round
- Two clamping screws offers enhanced flexibility in accomodating higher variation of pipe diameters
- Dual nut allows multiple threaded attachments
- Reinforced rib design provides enhanced strength



Select Variant

Article No.		Product Description	Clamping Range (D) (mm)	Pipe Size		G	B	H	bxs	V	Max. Reco. Static Load (Frec) (N)	Pack Size (Nos)
Galvanized (vz)	Dacrotized (fvz)			(inch)	(mm)							
613500	613501	FX SRS Regular Silicone, M10/M12, 3/8", (14-20)	14-20	3/8"	-	M10/M12	64	60	20x2.0	M6	1700	100
613506	613507	FX SRS Regular Silicone, M10/M12, 1/2", (21-26)	21-26	1/2"	-	M10/M12	71	66	20x2.0	M6	1700	100
613512	613513	FX SRS Regular Silicone, M10/M12, 3/4", (26-30)	26-30	3/4"	-	M10/M12	75	70	20x2.0	M6	1700	100
613518	613519	FX SRS Regular Silicone, M10/M12, 1", (31-38)	31-38	1"	-	M10/M12	81	76	20x2.0	M6	1700	100
613524	613525	FX SRS Regular Silicone, M10/M12, 40 mm, (35-42)	35-42	-	40	M10/M12	-	-	20x2.0	M6	1700	50
613530	613531	FX SRS Regular Silicone, M10/M12, 1 1/4", (40-47)	40-47	1 1/4"	-	M10/M12	91	86	20x2.0	M6	1700	50
613536	613537	FX SRS Regular Silicone, M10/M12, 1 1/2", (48-54)	48-54	1 1/2"	-	M10/M12	100	94	20x2.0	M6	1700	50
613542	613543	FX SRS Regular Silicone, M10/M12, 57 mm, (54-60)	54-60	-	57	M10/M12	105	99	20x2.0	M6	1700	50
613548	613549	FX SRS Regular Silicone, M10/M12, 2", (60-66)	60-66	2"	-	M10/M12	111	105	20x2.0	M6	1700	50
613554	613555	FX SRS Regular Silicone, M10/M12, 65 mm, (63-68)	63-68	-	65	M10/M12	-	-	25x2.5	M8	2200	50
613560	613561	FX SRS Regular Silicone, M10/M12, 70 mm, (68-73)	68-73	-	70	M10/M12	126	114	25x2.5	M8	2200	50
613566	613567	FX SRS Regular Silicone, M10/M12, 2 1/2", (73-80)	73-80	2 1/2"	-	M10/M12	131	119	25x2.5	M8	2200	50
613572	613573	FX SRS Regular Silicone, M10/M12, 83 mm, (82-87)	82-87	-	83	M10/M12	142	129	25x2.5	M8	2900	50
613578	613579	FX SRS Regular Silicone, M10/M12, 3", (87-94)	87-94	3"	-	M10/M12	146	133	25x2.5	M8	2900	50
613584	613585	FX SRS Regular Silicone, M10/M12, 102 mm, (99-104)	99-104	-	102	M10/M12	157	144	25x2.5	M8	2900	25
613590	613591	FX SRS Regular Silicone, M10/M12, 110 mm, (105-112)	105-112	-	110	M10/M12	166	153	25x2.5	M8	2900	25
613596	613597	FX SRS Regular Silicone, M10/M12, 4", (112-118)	112-118	4"	-	M10/M12	172	159	25x2.5	M8	2900	25
613602	613603	FX SRS Regular Silicone, M10/M12, 125 mm, (122-128)	122-128	-	125	M10/M12	182	169	25x2.5	M8	2900	25
613608	613609	FX SRS Regular Silicone, M10/M12, 133 mm, (132-137)	132-137	-	133	M10/M12	191	178	25x2.5	M8	2900	25
613614	613615	FX SRS Regular Silicone, M10/M12, 5", (137-142)	137-142	5"	-	M10/M12	196	183	25x2.5	M8	2900	25
613620	613621	FX SRS Regular Silicone, M10/M12, 144 mm, (142-148)	142-148	-	144	M10/M12	202	189	25x2.5	M8	2900	25
613626	613627	FX SRS Regular Silicone, M10/M12, 150 mm, (149-156)	149-156	-	150	M10/M12	210	197	25x2.5	M8	2900	25
613632	613633	FX SRS Regular Silicone, M10/M12, 160 mm, (159-164)	159-164	-	160	M10/M12	218	205	25x2.5	M8	2900	25

Single Bossed Clamps

Article No.		Product Description	Clamping Range (D) (mm)	Pipe Size		G	B (mm)	H (mm)	bxs (mm)	V	Max. Reco. Static Load (Frec) (N)	Pack Size (Nos)
Galvanized (vz)	Dacrotized (fvz)			(inch)	(mm)							
613638	613639	FX SRS Regular Silicone, M10/M12, 6", (164-169)	164-169	6"	-	M10/M12	223	210	25x2.5	M8	2900	25
613644	613645	FX SRS Regular Silicone, M10/M12, 170 mm, (169-172)	169-172	-	170	M10/M12	225	212	25x2.5	M8	3500	25
613650	613651	FX SRS Regular Silicone, M10/M12, 180 mm, (177-183)	177-183	-	180	M10/M12	235	223	25x2.5	M8	3500	25
613656	613657	FX SRS Regular Silicone, M10/M12, 200 mm, (197-203)	197-203	-	200	M10/M12	256	243	25x2.5	M8	3500	25
613662	613663	FX SRS Regular Silicone, M10/M12, 212 mm, (208-214)	208-214	-	212	M10/M12	284	256	40x3.0	M10	5800	10
613668	613669	FX SRS Regular Silicone, M10/M12, 8", (217-225)	217-225	8"	-	M10/M12	295	267	40x3.0	M10	5800	10
613674	613675	FX SRS Regular Silicone, M10/M12, 225 mm, (225-232)	225-232	-	225	M10/M12	304	274	40x3.0	M10	5800	10

*Available on request