

Single Bossed Clamps

Two piece single bossed clamp with noise insulating rubber lining

Material specifications	
Material	Pipe Clamp - DC01 or equivalent steel Lining - EPDM
Coatings	Galvanized, Dacrotized, Zinc Magnesium*

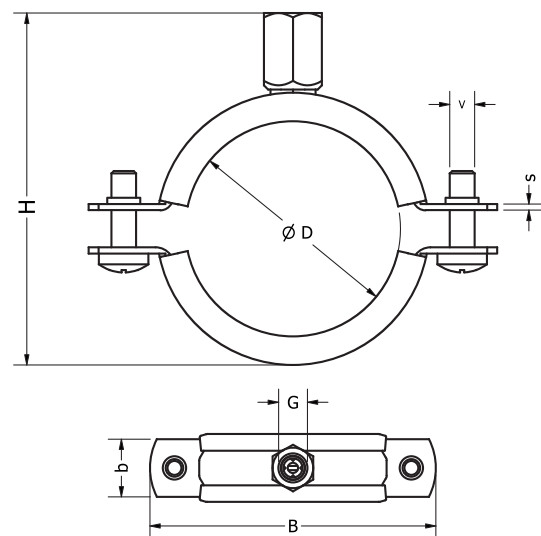


Applications

- Installation of plumbing and drainage pipes
- Suitable for installation of CPVC, UPVC, PP & PVC Pipes

Features & Benefits

- Two locking screws offers enhanced flexibility in accomodating higher variation of pipe diameters
- Dual nut allows multiple threaded attachments
- Reinforced rib and tread grommet design provide enhanced strength
- Noise insulating EPDM rubber lining



Select Variant

Article No.		Product Description	Clamping Range (D) (mm)	Pipe Size		G	bxs (mm)	V	Max. Reco. Static Load (Frec) (N)	Pack Size (Nos)
Galvanized (vz)	Dacrotized (fvz)			(inch)	(mm)					
613000	613001	FX SRS Original, M8/M10, 1/4", (12-15)	12-15	1/4"	-	M8/M10	19 x 1.2	M6	850	250
613006	613007	FX SRS Original, M8/M10, 3/8", (15-19)	15-19	3/8"	-	M8/M10	19 x 1.2	M6	850	250
613012	613013	FX SRS Original, M8/M10, 1/2", (20-25)	20-25	1/2"	-	M8/M10	19 x 1.2	M6	850	250
613018	613019	FX SRS Original, M8/M10, 3/4", (25-30)	25-30	3/4"	-	M8/M10	19 x 1.2	M6	850	250
613024	613025	FX SRS Original, M8/M10, 1", (33-37)	33-37	1"	-	M8/M10	19 x 1.2	M6	850	150
613030	613031	FX SRS Original, M8/M10, 1 1/4", (42-46)	42-46	1 1/4"	-	M8/M10	19 x 1.2	M6	850	150
613036	613037	FX SRS Original, M8/M10, 1 1/2", (47-52)	47-52	1 1/2"	-	M8/M10	19 x 1.2	M6	850	100
613042	613043	FX SRS Original, M8/M10, 57 mm, (54-58)	54-58	-	57	M8/M10	19 x 1.2	M6	850	100
613048	613049	FX SRS Original, M8/M10, 2", (59-63)	59-63	2"	-	M8/M10	19 x 1.2	M6	850	70
613054	613055	FX SRS Original, M8/M10, 70 mm, (68-73)	68-73	-	70	M8/M10	19 x 1.2	M6	850	50
613060	613061	FX SRS Original, M8/M10, 2 1/2", (72-80)	72-80	2 1/2"	-	M8/M10	19 x 1.6	M6	1400	150
613066	613067	FX SRS Original, M8/M10, 83 mm, (82-85)	82-85	-	83	M8/M10	19 x 1.6	M6	1400	150
613072	613073	FX SRS Original, M8/M10, 3", (88-92)	88-92	3"	-	M8/M10	19 x 1.6	M6	1400	140
613078	613079	FX SRS Original, M8/M10, 102 mm, (99-103)	99-103	-	102	M8/M10	19 x 1.6	M6	1400	140
613084	613085	FX SRS Original, M8/M10, 4", (108-115)	108-115	4"	-	M8/M10	19 x 1.6	M6	1400	140
613090	613091	FX SRS Original, M8/M10, (112-118)	112-118	-	116	M8/M10	19 x 1.6	M6	1400	130
613096	613097	FX SRS Original, M8/M10, 125 mm, (125-130)	125-130	-	125	M8/M10	19 x 2.0	M6	2000	130
613102	613103	FX SRS Original, M8/M10, 133 mm, (133-137)	133-137	-	133	M8/M10	19 x 2.0	M6	2000	130
613108	613109	FX SRS Original, M8/M10, 5", (137-142)	137-142	5"	-	M8/M10	19 x 2.0	M6	2000	100
613114	613115	FX SRS Original, M8/M10, 160 mm, (159-164)	159-164	-	160	M8/M10	19 x 2.0	M6	2000	100
613120	613121	FX SRS Original, M8/M10, 6", (164-169)	164-169	6"	-	M8/M10	19 x 2.0	M6	2000	100
613132	613133	FX SRS Original, M8/M10, 200 mm, (193-203)	193-203	-	200	M8/M10	19 x 2.0	M8	2000	50
613126	613127	FX SRS Original, M8/M10, 8", (215-220)	215-220	8"	-	M8/M10	19 x 2.0	M8	2000	50

*Available on request