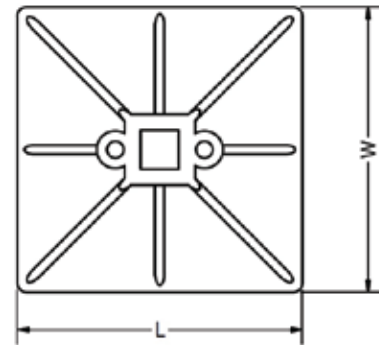
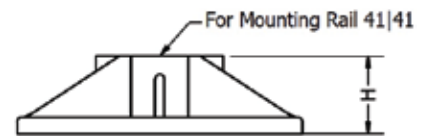


Mounting Feet

Non-penetrative heavy mounting base for flat roofs

Material specifications	
Material	High quality recycled polypropylene with bonded rubber mat base
Properties	Service Temperature: -20 °C to +70 °C Compressive Strength (ASTM D 685) > 35 Mpa Flexural Strength (ASTM D 790) > 16 Mpa Hardness (ASTM D2240) : 55



Applications

- Non penetrative installation of large air handling units, condensers, chillers, generators etc. on flat roofs
- Non penetrative installation of heavy pipes, ventilation ducts and cable trays on flat roofs

Features & Benefits

- Enables optimum weight distribution of heavy loads over whole foot print
- UV Resistant high quality polypropylene
- Quick and easy to Install
- Supplied together with Anti Vibration Rubber Mat
- Fixotec design assistance ensures maximum wind stability and effective load management
- Can be connected to FXR 41|41 Mounting Rails using FXR Base Adapter
- Can be combined with other Fixotec support solutions for a complete and cost-effective package

FXC Adapter 38|40

FXR Adapter 41|41



The Assembly consists of:

- 1 Roof base
- 1 Anti-slip mat (must be attached on the Roof base according to the installation instructions)
- 1 FXR 41|41 Adapter

Select Variant

Article No.	Product Description	FXR Mounting Rail	L (mm)	W (mm)	H (mm)	Max. Recommended Load (N)	Weight (Kg)
682020	FXR Roof Base Heavy 300	41 41	302	302	75	20000	2.15
682030	FXR Roof Base Heavy 450	41 41	455	455	75	20000	4.30
682040	FXC Roof Base Heavy 300	38 40	302	302	75	20000	2.15
682050	FXC Roof Base Heavy 450	38 40	455	455	75	20000	4.30

Note:

- A range of materials are used as insulation on flat roofs, and vary significantly in their compressive strength, which must be checked before installation on site.
- The load bearing capacity of the roof structure must be taken into consideration with the extra load of the equipment to be placed on the assembly.