

Connectors

Supporting flange for FXT Heavy Rail Profiles

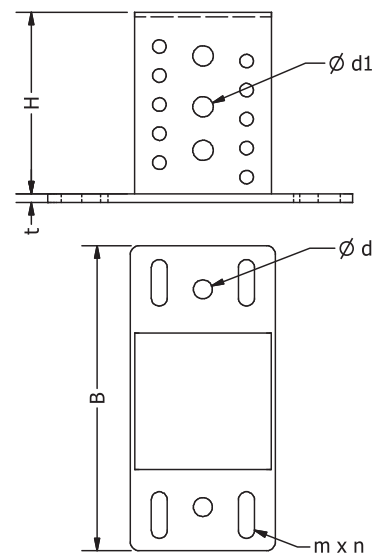
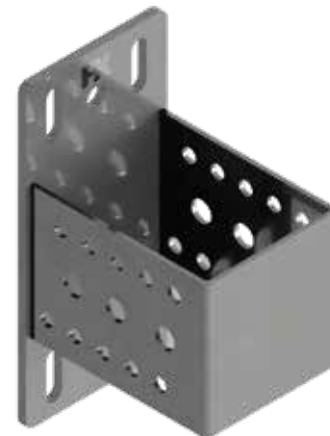
Material specifications	
Material	S235JR or equivalent steel
Coatings	Hot-Dip Galvanized

Applications

- Structural connection of FXT Heavy Rail Profiles with any supporting material
- Allows for individual creation of cantilever arms

Features & Benefits

- Provides higher torsional and bending rigidity for FXT Heavy Rail Profiles
- Simple installation by inserting the FXT Heavy Rail Profile in the saddle
- Allows lateral and vertical adjustment of FXT Heavy Rail Profiles with reliable fastening
- High load bearing capacity owing to special material properties and design
- Hot-dip galvanized in accordance to EN 1461 assures higher corrosion protection and provides flexibility of using in Indoors as well as outdoors



Select Variant

Article No.	Product Description	FXT Heavy Rail Profile	A (mm)	B (mm)	Ø d (mm)	Ø d1 (mm)	m x n (mm)	t (mm)	H (mm)
639201	FXT Saddle Flange, 80 80	80 80	80	190	13	14	11 X 32	6	105
639211	FXT Saddle Flange, 100 100	100 100	100	210	13	14	11 X 32	8	125
639221	FXT Saddle Flange, 100 120	100 120	100	230	13	14	11 X 32	8	145