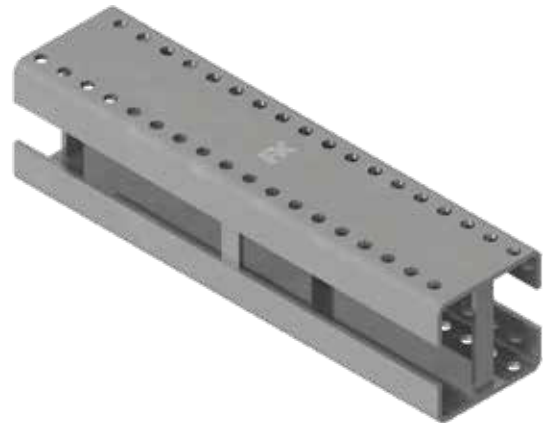


Connectors

Connection element for longitudinal alignment of FXT Heavy Rail Profiles

Material specifications

Material	S235JR or equivalent steel
Coatings	Hot-Dip Galvanized

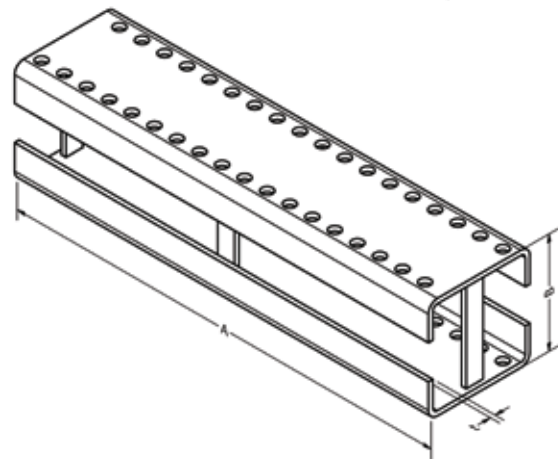


Applications

- Longitudinal connections of FXT Heavy Rail Profiles
- Maintaining continuity of FXT Heavy Rail Profiles for Large spans

Features & Benefits

- Easy to install with FXT Self threading bolts
- Ensures longitudinal alignment of FXT Heavy Rail Profiles
- Quick and efficient connections of heavy support structures
- High load bearing capacity owing to special material properties and design
- Hot-dip galvanized in accordance to EN 1461 assures higher corrosion protection and provides flexibility of using in Indoors as well as outdoors



Select Variant

Article No.	Product Description	FXT Heavy Rail Profile	A (mm)	B (mm)	t (mm)
639601	FXT Longitudinal Connector, 80 80	80 80	367	70	4
639611	FXT Longitudinal Connector, 100 100	100 100	367	90	4
639621	FXT Longitudinal Connector, 100 120	100 120	367	110	4
639631	FXT Longitudinal Connector, 100 150	100 150	367	140	4