

Brackets

Supporting bracket for FXT Heavy Rail Profiles

Material specifications	
Material	S235JR or equivalent steel
Coatings	Hot-Dip Galvanized

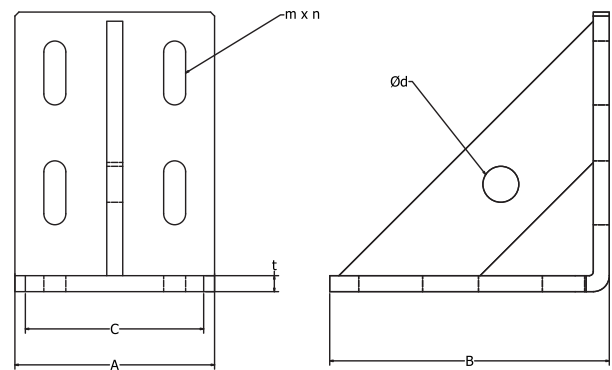


Applications

- Building frame structures using FXT Heavy Rail Profiles
- Structural connection of FXT Heavy Rail Profiles with any supporting material

Features & Benefits

- Easy to install with FXT Self threading bolts
- Strengthening of FXT Heavy Rail Profile connections
- High load bearing capacity owing to special material properties and design
- Hot-dip galvanized in accordance to EN 1461 assures higher corrosion protection and provides flexibility of using in Indoors as well as outdoors



Select Variant

Article No.	Product Description	FXT Heavy Rail Profile	A (mm)	B (mm)	C (mm)	Ø d (mm)	m x n (mm)	t (mm)
637351	FXT Angle Bracket 80x140x6	80 80	80	140	-	18	11 x 32	6
637361	FXT Angle Bracket 100x140x80x6	80 80 with 100 100	100	140	80	18	11 x 32	6
637371	FXT Angle Bracket 100x140x8	100 100, 100 120, 100 150	100	140	-	14	11 x 32	8
637381	FXT Angle Bracket 120x140x100x8	100 100 with 100 120	120	140	100	18	11 x 32	8
637391	FXT Angle Bracket 120x140x120x8	100 120	120	140	120	18	11 x 32	8