

Connection element for attachment of FXR Mounting Rails to steel girders

Material specifications	
Material	S235 JR or equivalent steel
Coatings	Galvanized, Hot-Dip Galvanized (HDG), Powder Coating*, Zinc Magnesium*

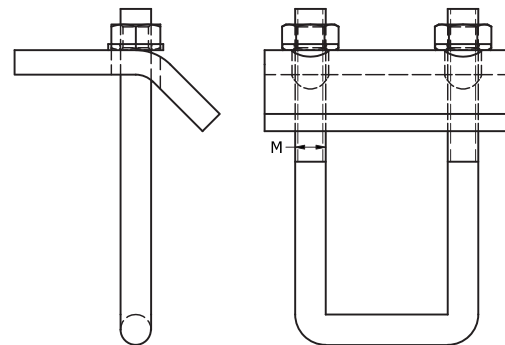


### Applications

- Connection of FXR Mounting Rails to steel girders without welding or drilling

### Features & Benefits

- Easy to install, Pre-assembled Kit
- Enables secured transfer of loads from FXR Mounting Rail to steel girders
- Allows adjustment of FXR Mounting Rail along and across the supporting beam
- Suitable for Flange thicknesses of common steel girder profiles



### Load Table

For FXR Mounting Rail	M	Max. permitted loading/pair [N] with fasteners		
		M8	M10	M12
41   21	M8	4500	4500	4500
41   41	M8	4500	4500	4500
41   41   2.5	M8	4500	5000	5000
41   21	M10	4500	4500	4500
41   41	M10	4500	4500	4500
41   41   2.5	M10	4500	5000	5000
41   62	M10	4500	5000	5000
41   82	M10	4500	4500	4500
41   124	M10	4500	5000	5000
60   70	M12	5600	5600	5600

### Select Variant

Article No.		Product Description	M	Pack Size (Nos)
Galvanized (vz)	HDG (fvz)			
638005	638006	FXR Girder Cleat M8 - 41 21	M8	25
638020	638021	FXR Girder Cleat M8 - 41 41, 41 62	M8	25
638025	638026	FXR Girder Cleat M8 - 41 82	M8	25
638000	638001	FXR Girder Cleat M10 - 41 41, 41 62	M10	25
638010	638011	FXR Girder Cleat M10 - 41 82, 41 124	M10	5
638012	638013	FXR Girder Cleat M12 - 60 70	M12	5
638015	638016	FXR Girder Cleat M12 - 41 82, 41 124	M12	5

\*Available on request