

## Connectors

Fixing element for cross connections of FXR Mounting Rails

| Material specifications |  |
|-------------------------|--|
| <b>Material</b>         | DD11 or equivalent steel   |
| <b>Coatings</b>         | Galvanized, Hot-Dip Galvanized (HDG), Powder Coating*, Zinc Magnesium* |

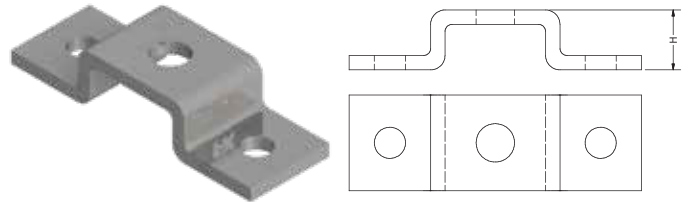
### Applications

- Cross connection of FXR Mounting Rails
- Connecting element for planar grid structures.

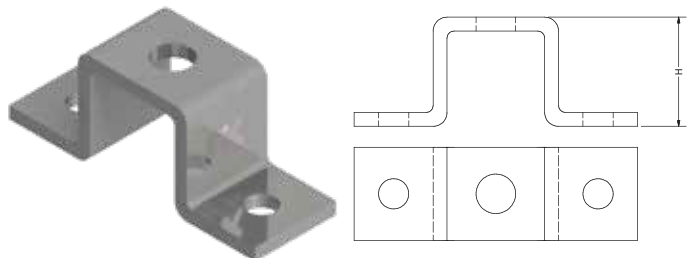
### Features & Benefits

- Easy to install with less components
- Ensures rotation-free FXR Mounting Rail structural connections
- Quick and efficient attachment of multiple support structure.

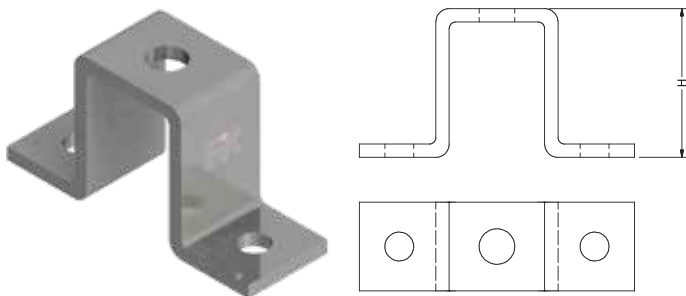
### FXR Cross Connector, 41|21



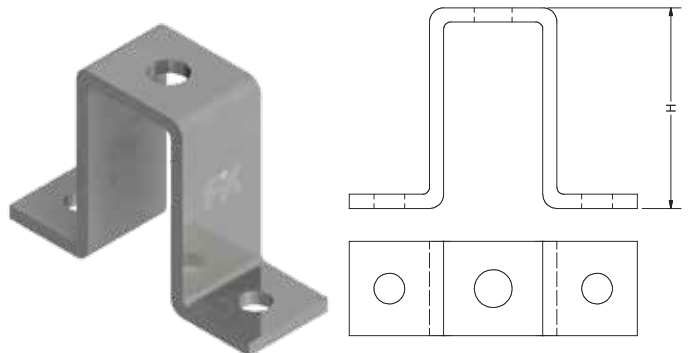
### FXR Cross Connector, 41|41



### FXR Cross Connector, 41|62



### FXR Cross Connector, 41|82



### Select Variant

| Article No.     |           | Product Description         | H (mm) | Pack Size (Nos) |
|-----------------|-----------|-----------------------------|--------|-----------------|
| Galvanized (vz) | HDG (fvz) |                             |        |                 |
| 637610          | 637611    | FXR Cross Connector, 41 21  | 23     | 50              |
| 637620          | 637621    | FXR Cross Connector, 41 41  | 43     | 25              |
| 637630          | 637631    | FXR Cross Connector, 41 62  | 63     | 25              |
| 637640          | 637641    | FXR Cross Connector, 41 82  | 83     | 10              |
| 637650          | 637651    | FXR Cross Connector, 41 124 | 126    | 10              |

\*Available on request