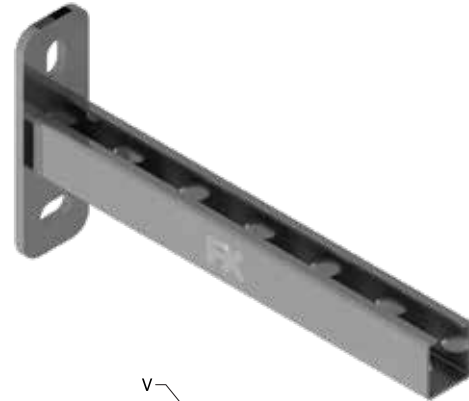


Pre Fabricated Cantilever Bracket

Material specifications	
Material	Base Plate : S235 JR or equivalent steel Mounting Rail : DD11 or equivalent steel
Coatings	Galvanized, Hot-Dip Galvanized (HDG), Powder Coating*, Zinc Magnesium*

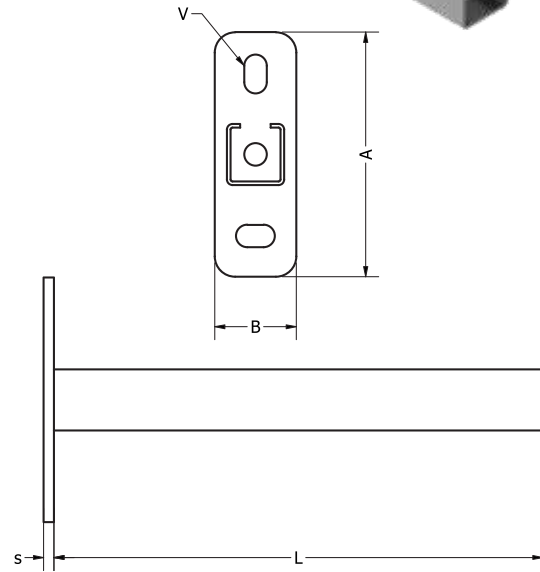


Applications

- Fastening light to medium-duty ventilation ducts, plumbing & firefighting pipes and cable trays as a cantilever support structure
- Supporting structures for suspended services
- Suitable for Trench and Tunnel application.

Features & Benefits

- Easy to install with less components
- Available in variable lengths (Upto 0.6 m) for supporting different services installations
- Ensures secured connections with the FXC Rail nut



Select Variant

Article No.		Product Description	Length (L) (mm)	AxBxs (mm)	V (mm)	**Max. Recommended Load (N)	Pack Size (Nos)
Galvanized (vz)	HDG (fvz)						
333000	333001	FXC Cantilever Bracket 27 18 1.25, 200 mm	200	120 x 40 x 4	11.0 x 19	463	25
333010	333011	FXC Cantilever Bracket 27 18 1.25, 300 mm	300	120 x 40 x 4	11.0 x 19	311	25
333020	333021	FXC Cantilever Bracket 27 18 1.25, 500 mm	500	120 x 40 x 4	11.0 x 19	186	25
333030	333031	FXC Cantilever Bracket 28 30 1.75, 240 mm	240	120 x 40 x 5	11.0 x 19	817	25
333040	333041	FXC Cantilever Bracket 28 30 1.75, 400 mm	400	120 x 40 x 5	11.0 x 19	490	25
333050	333051	FXC Cantilever Bracket 38 40 2.00, 160 mm	160	125 x 50 x 8	13.5 x 20	3260	25
333060	333061	FXC Cantilever Bracket 38 40 2.00, 240 mm	240	125 x 50 x 8	13.5 x 20	2173	25
333070	333071	FXC Cantilever Bracket 38 40 2.00, 320 mm	320	125 x 50 x 8	13.5 x 20	1630	25
333080	333081	FXC Cantilever Bracket 38 40 2.00, 400 mm	400	125 x 50 x 8	13.5 x 20	1304	25
333090	333091	FXC Cantilever Bracket 38 40 2.00, 480 mm	480	125 x 50 x 8	13.5 x 20	1086	25
333100	333101	FXC Cantilever Bracket 38 40 2.00, 560 mm	560	125 x 50 x 8	13.5 x 20	931	25
333110	333111	FXC Cantilever Bracket 38 40 2.00, 640 mm	640	125 x 50 x 8	13.5 x 20	815	25
333120	333121	FXC Cantilever Bracket 38 40 2.00, 720 mm	720	125 x 50 x 8	13.5 x 20	724	25
333130	333131	FXC Cantilever Bracket 38 40 2.00, 800 mm	800	125 x 50 x 8	13.5 x 20	652	25
333140	333141	FXC Cantilever Bracket 38 40 2.00, 1040 mm	1040	125 x 50 x 8	13.5 x 20	501	25
333150	333151	FXC Cantilever Bracket 40 60 3.00, 560 mm	560	165 x 60 x 8	13.5 x 20	1838	1
333160	333161	FXC Cantilever Bracket 40 60 3.00, 640 mm	640	165 x 60 x 8	13.5 x 20	1608	1
333170	333171	FXC Cantilever Bracket 40 60 3.00, 800 mm	800	165 x 60 x 8	13.5 x 20	1286	1
333180	333181	FXC Cantilever Bracket 40 60 3.00, 1040 mm	1040	165 x 60 x 8	13.5 x 20	989	1
333190	333191	FXC Cantilever Bracket 38 80 2.00, 400 mm	400	165 x 60 x 8	13.5 x 20	3383	1
333200	333201	FXC Cantilever Bracket 38 80 2.00, 800 mm	800	165 x 60 x 8	13.5 x 20	1691	1

*Available on request

** Loads are at the centre of the channel.