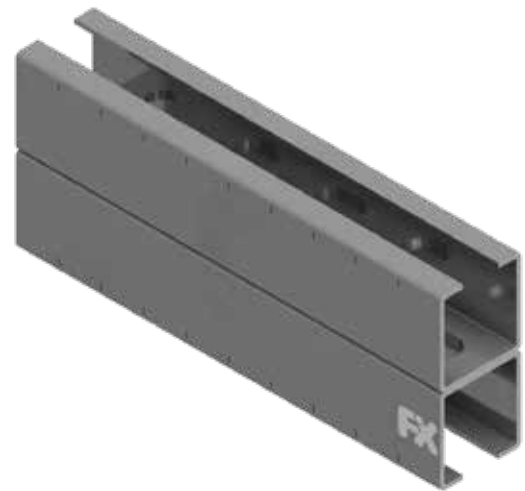


Mounting Channels

Universally slotted H-profile mounting channel

| Material specifications | |
|-------------------------|---|
| Material | DX51D or Equivalent steel DD11 or Equivalent steel |
| Coatings | Galvanized, Hot-Dip Galvanized (HDG), Powder Coating*, Zinc Magnesium* |

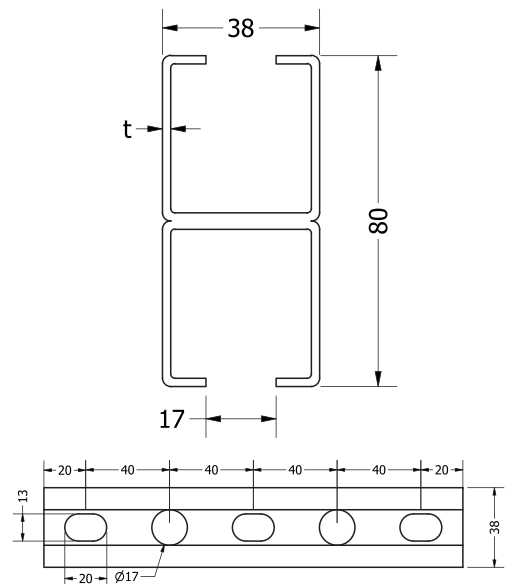


Applications

- Installation of medium to heavy-duty ventilation ducts, plumbing & firefighting pipes and cable trays
- Secondary support structure for installation of different services

Features & Benefits

- Wide range of mounting options in conjunction with our FXC mounting channel accessories
- Quick and efficient attachment of multiple support structure
- Lateral and vertical adjustment with reliable fastening
- High load bearing capacity owing to special material properties and design



Select Variant

| Article No. | | Product Description | L (mm) | W (mm) | H (mm) | t (mm) |
|-----------------|-----------|-----------------------------------|--------|--------|--------|--------|
| Galvanized (vz) | HDG (fvz) | | | | | |
| 300200 | 300201 | FXC Mounting Channel 38 80 2, 6 m | 6000 | 38 | 80 | 2.0 |
| 300210 | 300211 | FXC Mounting Channel 38 80 2, 3 m | 3000 | 38 | 80 | 2.0 |
| 300220 | 300221 | FXC Mounting Channel 38 80 2, 2 m | 2000 | 38 | 80 | 2.0 |

*Available on request