

Variable supporting flange for FXR Mounting Rails

### Material specifications

<b>Material</b>	<b>Base Plate:</b> S235 JR or equivalent steel <b>Flange Profile:</b> DD11 or equivalent steel
<b>Coatings</b>	Galvanized, Hot-Dip Galvanized (HDG), Powder Coating*, Zinc Magnesium*

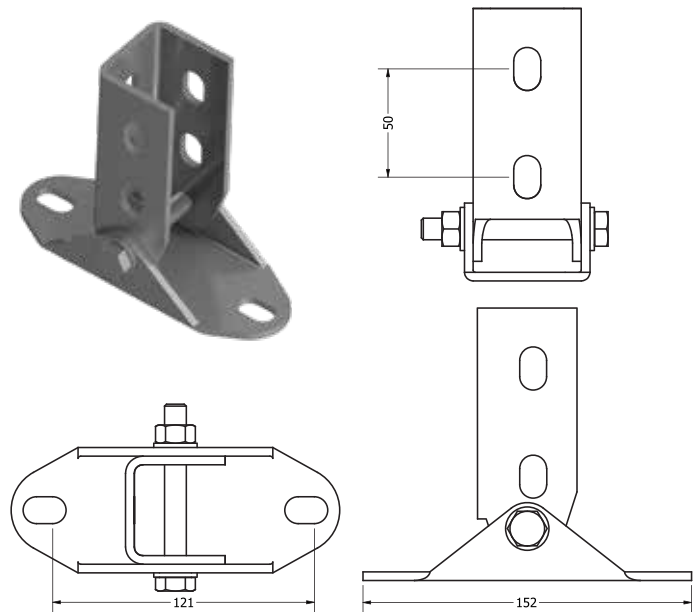
### Applications

- Ideal for bracing installation for FXR Mounting Rail structures and seismic support installations.
- Structural connection of FXR Mounting Rails with any supporting material
- Suitable for inclined roof/ceilings in PEB and RCC structures

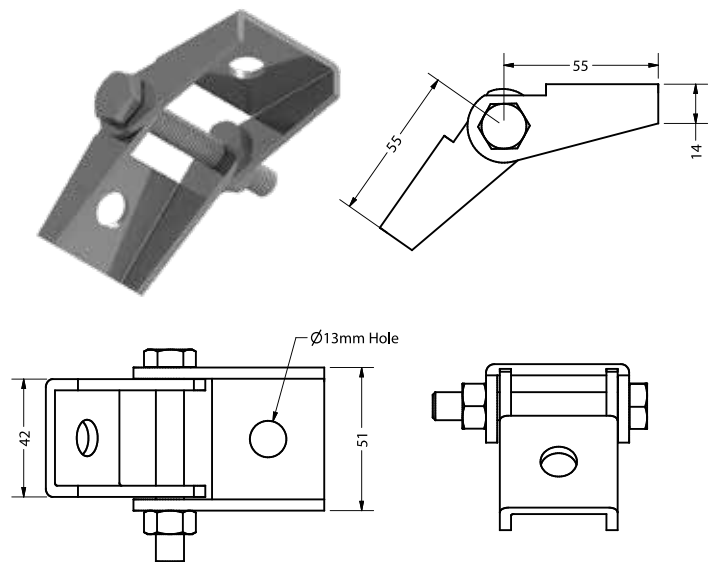
### Features & Benefits

- Increased flexibility during installation
- Ease of installation with less components
- Pre-assembled for rapid installation.

### FXR Variable Saddle Flange (2+2)



### FXR Variable Saddle Flange (1+1)



### Select Variant

Article No.		Product Description	Pack Size (Nos)
Galvanized (vz)	HDG (fvz)		
637810	637811	FXR Variable Saddle Flange (2+2) - 41 21 - 41 62	10
637820	637821	FXR Variable Saddle Flange (1+1) - 41 21 - 41 62	20

\*Available on request