

FXR Saddle Flange



Connectors

Supporting flange for FXR Mounting Rails

Material specifications	
Material	Base Plate : S235 JR or equivalent steel Flange Profile : DD11 or equivalent steel
Coatings	Galvanized, Hot-Dip Galvanized (HDG), Powder Coating*, Zinc Magnesium*

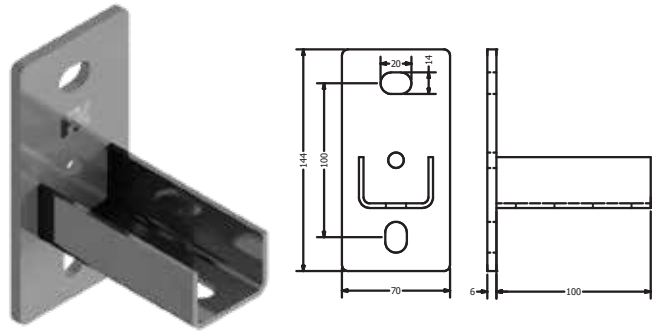
Applications

- Structural connection of FXR Mounting Rails with any supporting material
- Allows for individual creation of cantilever arms

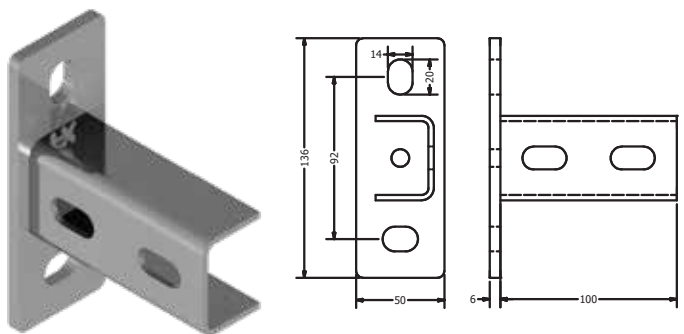
Features & Benefits

- Provides higher torsional and bending rigidity for FXR Mounting rails
- Simple installation by inserting the mounting rail in the saddle.
- Allows lateral and vertical adjustment of FXR Mounting Rail with reliable fastening.
- High load bearing capacity owing to special material properties and design.

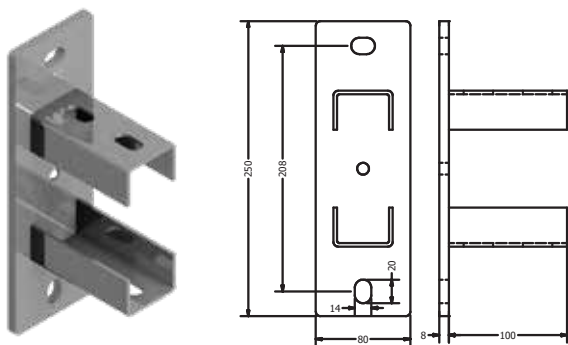
FXR Saddle Flange - Lengthwise



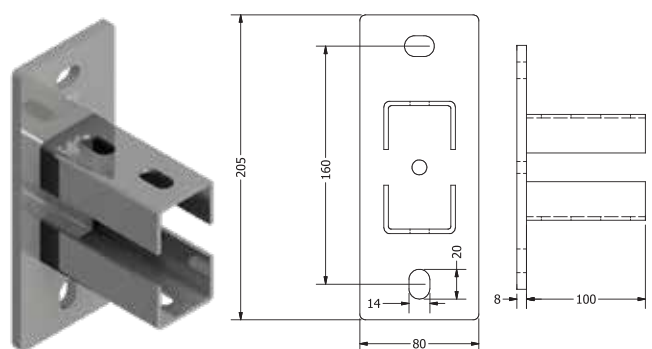
FXR Saddle Flange - Crosswise



FXR Saddle Flange - Lengthwise Heavy - 41124



FXR Saddle Flange - Lengthwise Heavy - 41182



Select Variant

Article No.		Product Description	Orientation	Pack Size (Nos)
Galvanized (vz)	HDG (fvz)			
637000	637001	FXR Saddle Flange - Lengthwise - 41141, 41162	Lengthwise	20
637005	637006	FXR Saddle Flange - Crosswise - 41141, 41162	Crosswise	20
637010	637011	FXR Saddle Flange - Lengthwise Heavy - 41182	Lengthwise	5
637015	637016	FXR Saddle Flange - Lengthwise Heavy - 41124	Lengthwise	5

*Available on request