

Fixing element for cross connections of FXR Mounting Rails

Material specifications	
<b>Material</b>	DD11 or equivalent steel
<b>Coatings</b>	Galvanized, Hot-Dip Galvanized (HDG), Powder Coating*, Zinc Magnesium*

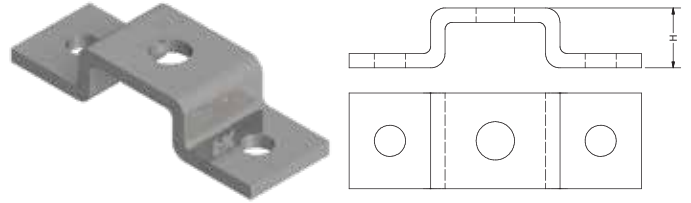
### Applications

- Cross connection of FXR Mounting Rails
- Connecting element for planar grid structures.

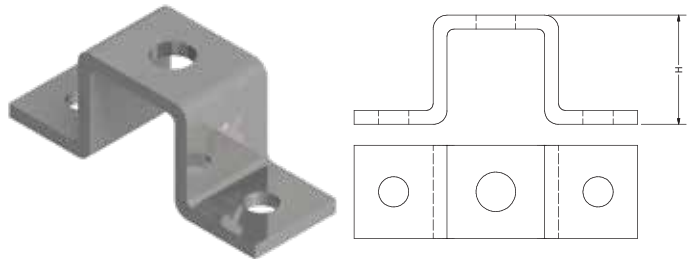
### Features & Benefits

- Easy to install with less components
- Ensures rotation-free FXR Mounting Rail structural connections
- Quick and efficient attachment of multiple support structure.

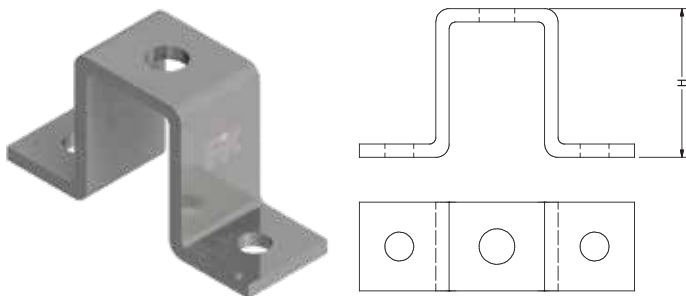
### FXR Cross Connector, 41|21



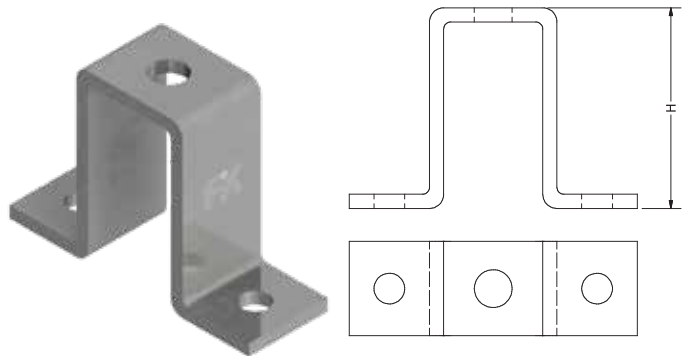
### FXR Cross Connector, 41|41



### FXR Cross Connector, 41|62



### FXR Cross Connector, 41|82



### Select Variant

Article No.		Product Description	H (mm)	Pack Size (Nos)
Galvanized (vz)	HDG (fvz)			
637610	637611	FXR Cross Connector, 41 21	23	50
637620	637621	FXR Cross Connector, 41 41	43	25
637630	637631	FXR Cross Connector, 41 62	63	25
637640	637641	FXR Cross Connector, 41 82	83	10
637650	637651	FXR Cross Connector, 41 124	126	10

\*Available on request